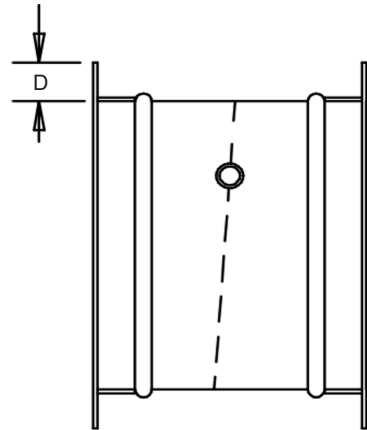


Backdraft Damper • 7½" Deep • Single Thickness Blade • Round Frame • Stainless Steel • -35°F to 180°F Temperature

Standard Construction and Materials

- FRAME:** 16 GA. stainless steel, 7½" deep.
- BLADE:** 16 GA. stainless steel, reinforced for frames over 20" dia.
- AXLE:** ½" dia. stainless steel, continuous.
- BEARINGS:** Flange oilite bronze.
- SEALS:** On frame, ¼" thick closed cell neoprene. Temperature range is -35°F to 180°F.
- FINISH:** No 2B type 304 stainless steel.



Equal leg angles are available. They are welded to frames at intermittent spacing and caulked between welds. Flange Height "D" varies with damper diameter.

Options

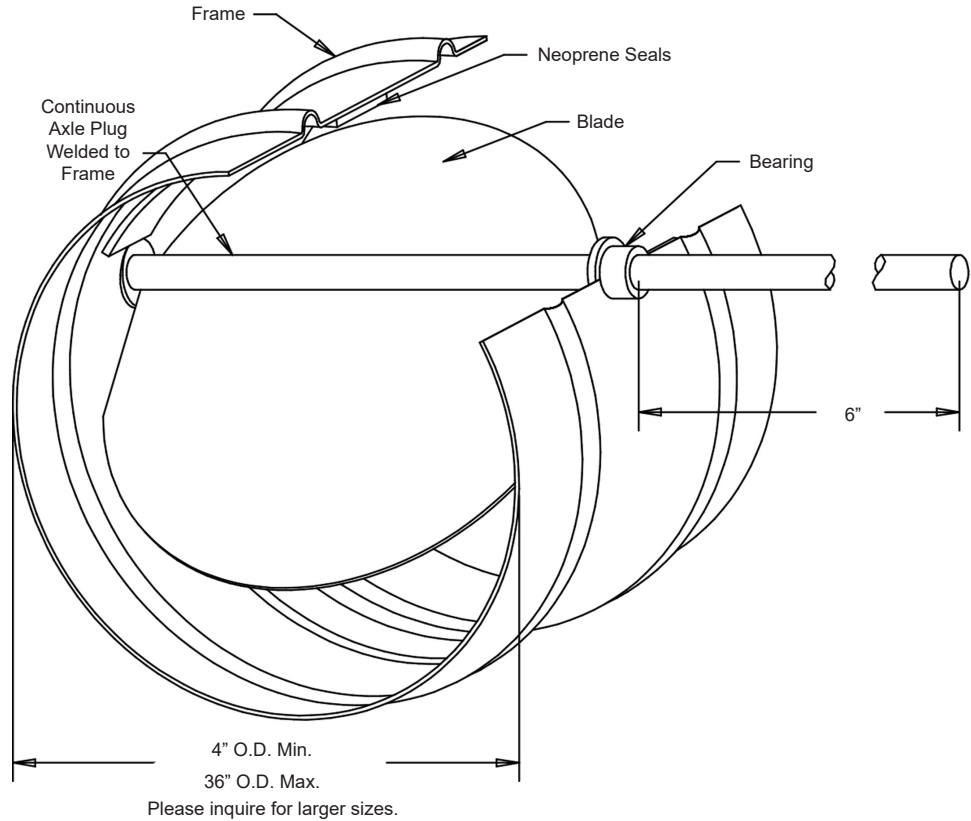
Counter balance - mounted to blade or installed on extended shaft.

Notes

1. Nominal deductions will be made to the opening size given.
2. Please contact the factory for damper sizes larger than 36" diameter.
3. When ordering a counter balance, please specify type: assist or resist opening.
4. Damper sizes of 12" dia. and less shall have a counter balance located on an extended shaft only.
5. To calculate approximate shipping weight (lbs./in.), use following formula:
 Damper Circumference (Diameter [in.] × 3.141) × 0.3

Damper Sizes

Minimum Size	Maximum Size
4" O.D.	36" O.D.



Item #	Qty	Damper Size O.D.	Assist Counter Balance	Resist	Remarks		
Arch. / Eng.:			EDR:		ECN:		Job:
Contractor:							
Project:			Date:		DWN:		DWG:

In the interest of product development, Cesco Products reserves the right to make changes without notice.



450 Riverside Dr • Wyalusing PA, 18853
 Phone: 570-746-1888 • Fax: 570-746-9286
 www.cescoproducts.com